

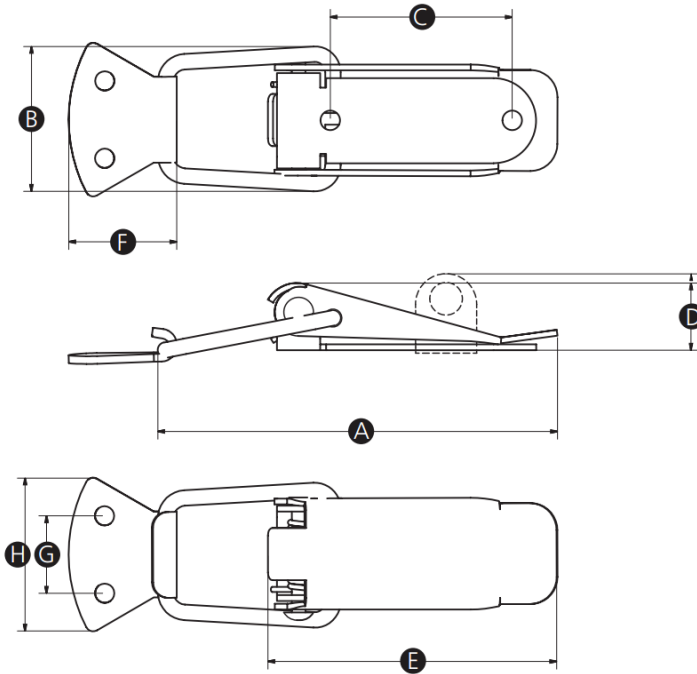
## G03ML Stainless Steel Sprung Toggle Latch

### Features

- Stainless steel sprung toggle latch with or without hole for lock
- Complete with catch plate

### Material

- Stainless steel 304, natural



Part No.	A	B	C	D	E	F	G	H	Base Hole Size	Hook Hole Size	Lockable	Locking Hole Size	Max Load
G03ML-16068U	103	37	47	17	75	28	20	40	5	5	No	-	600 N (60 kg)
G03ML-16069Q		39		20							Yes	8	
G03ML-16070X	90	36	41	14	65	26	17	38	5	5	No	-	
G03ML-16071T				17							Yes	5.5	
G03ML-16072P	77	34	33	12	56	20	14	30	4	4	No	-	500 N (50 kg)
G03ML-16073W	76			13							Yes	5	
G03ML-16074S	57	23	25	9	44	13	25	25	4	4	No	-	400 N (40 kg)
G03ML-16075Z				11							Yes	4.5	